

The City of Olean is seeking proposals for removal and service of a 14ENL-3 Flowserve pump. This will involve removal, servicing, testing, and reinstallation of the pump from the City of Olean Water Treatment Plant's raw water pump station.

GENERAL REQUIREMENTS:

1. The contractor shall meet the following insurance requirements:
 - a. Furnish all labor necessary to perform the service provided for in this agreement and to maintain proper conduct of its employees and pay said employees in full accordance with the Fair Labor Standards Act as amended, and any other applicable statutes.
 - b. The Contractor further agrees to assume all responsibility for damages to person or property that may accrue during the prosecution of the work through the negligence, of himself, his agents or employees, or from any other cause, and to save the City harmless therefrom.
 - c. The Contractor shall have access to the premises for performance of services and for inspection purposes.
 - d. **INSURANCE REQUIREMENTS:** Prior to award of contract, the successful bidder shall supply copies of insurance certificates as follows:
 - I) Insurance covering claims under workers compensation, disability benefit and other similar employee benefit acts, against himself/herself or any of them, or by anyone whose acts any of them may be liable.
 - II) Contractor's Protective Liability Insurance.

Each Occurrence	\$1,000,000
Damage to Rented Premises (each occurrence)	\$1,000,000
Medical Expense (any one person)	\$1,000,000
Personal & Adv. Injury	\$1,000,000
General Aggregate	\$2,000,000
Products – Comp/Op Agg	\$2,000,000
 - III) Automobile Liability Insurance:

Combined Single Limit (each accident)	\$1,000,000
---------------------------------------	-------------
 - IV) Excess/Umbrella Liability:

Each Occurrence	\$5,000,000
Aggregate	\$5,000,000
 - V) Worker's Compensation and Employer's Liability

E.L. Each Accident	\$ 100,000
E.L. Disease – Each Employee	\$ 100,000
E.L. Disease – Policy Limit	\$ 500,000

GENERAL REQUIREMENTS (Continued)

2. **The contractor shall use OEM Flowserve parts in the repair and servicing of the pump.** No substitutes shall be permitted. A list of parts used shall be supplied to the City and approved prior to installation.
3. The contractor shall provide a minimum of a three (3) year warranty on the pump service work.
4. The City of Olean reserves the right to inspect the pump repair. In the event the City requests this, the contractor is to coordinate a time that City of Olean personnel can visit the shop and check on the repairs.
5. The bidding company MUST have a **minimum of twenty (20) years experience** in repairing vertical turbine pumps. This refers to the company itself, not the experience level of employees within the company.
6. The City of Olean may require the contractor supply a minimum of three (3) references from work on vertical turbine pumps that has been completed within the last three (3) years.
7. NYS Prevailing wage rules and regulations are in effect for this project. The project is located in Cattaraugus County, NY.
8. **Certified copies of payrolls are to be submitted to the City of Olean prior to any funds being dispersed for payment of services. Refer to prevailing wage documents for more details.**
9. A non-collusion statement must be signed by the bidder and attached with the quote.
10. This quote is in the form of a "Not-to-Exceed" quote.
11. The City of Olean reserves the right to accept or reject any or all bids.

The Contractor shall perform the following tasks (at a minimum):

1. Remove the motor from the pump – electrical connection shall be disconnected and locked out by the City of Olean Electrician prior to motor removal. The motor shall be placed on a platform supplied by the City of Olean so that it may be removed and serviced by another contractor.
2. An electric hoist system is located within the structure, so no crane work will be required. The contractor must bring any required materials needed to pull the pump using the hoist. Please contact us if there are any questions.
3. Disconnect the pump housing from the distribution line in the raw water pump station. Though there is a check valve and a gate valve, the contractor will be required to bolt a blind flange (as supplied by the City of Olean) on the end of the line.
4. Remove the pump from the pit. This will require disassembly of the pump as it is being pulled out of the pit. Extreme care must be taken so as to not drop any debris into the sump pits below the floor. If anything is dropped into the sump pit, the City shall be informed immediately. While this is a raw water source, the contractor is responsible for removing any items that fall in and are deemed to be a hazard to the water or pump.
5. Remove the pump components from the plant and take them to the contractor’s repair facility to be serviced.
6. Servicing the pump:
 - a. Fully disassemble, clean, and perform a repair assessment to confirm parts and service needed to restore OEM tolerances and OEM hydraulic performance. This bid must take into account any repairs that could surface during inspection.
 - i. In addition to any unrepairable parts, the following items **MUST** be replaced regardless of condition:

Qty	Item
1	O-ring
2	Lineshaft bearings
1	Set Screw
3	Bearing sleeves
1	Flange Gasket
2	O-rings
2	Lantern Rings
1	Sleeve
2	Rubber Bearings
1	Packing Set
4	O-rings
1	Bearing Sleeve
 - b. Dynamically balance impellers for EACH stage to ISO 1940 G 1.0 tolerance. The contractor shall provide certification of such to the City of Olean before any payment for services rendered will be made.
 - c. All materials used on the pump **MUST** be OEM parts – the contractor shall provide a list of all OEM parts along with proof of purchase (receipts) certifying said materials.
7. All exterior surfaces shall be cleaned, scraped, and repainted with NSF approved epoxy paint. **The City of Olean MUST approve the material before painting of the pump.**
8. The pump then can be returned to the water plant and re-installed by the contractor. Components must be disinfected with a chlorine solution (as approved by the City of Olean) prior to installation into the pit.
9. The contractor shall connect the pump to the distribution line.
10. The contractor shall place the motor onto the pump and reconnect it to the pump. All electrical connections will be done by the City of Olean Electrician.
11. Impellers shall be adjusted to OEM performance.
12. Upon completion of the installation, the contractor is to start up the pump and motor with the guidance of City of Olean water plant personnel.

ALL DIMENSIONS
IN INCHES

CERTIFIED FOR CONSTRUCTION
BY _____ DATE _____

MOTOR

40 H.P. Vertical SOLID Shaft
1200 R.P.M. 3 Phase 80 Cycle 460 Volts
WPI Enclosure Mfg. U.S. Motors

DISCHARGE HEAD - TYPE W

① 12" Discharge Head
② 12" Discharge Flange matches 125# ANSI Dimensions
flange holes straddle vertical centerline
Shaft Seal INJECTION LUBE

COLUMN

① 12" Column Pipe (max section length 8')
② 1.25" Diameter Enclosed Lin shaft
③ 2.00" Enclosing Tube

PUMP

3 Slope 14ENL Bowl ENCLOSED Impeller
1600 USCPW 63 Fl. Total Head

MATERIALS

Bowl CAST IRON Column STEEL
Impellers BRONZE Brg. Retainer CAST IRON
Pump Shaft 416 S.S. Lin shaft 416 S.S.
Bowl Brgs. BRONZE Lin shaft Brgs. BRONZE
Head CAST IRON Lin shaft Srv. -
Enclosing Tube STEEL

Driver Weight 730 lbs. Pump Weight 2495 lbs.
Pump will be shipped Unassembled



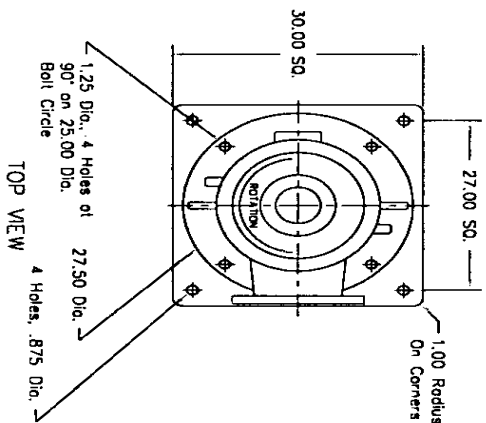
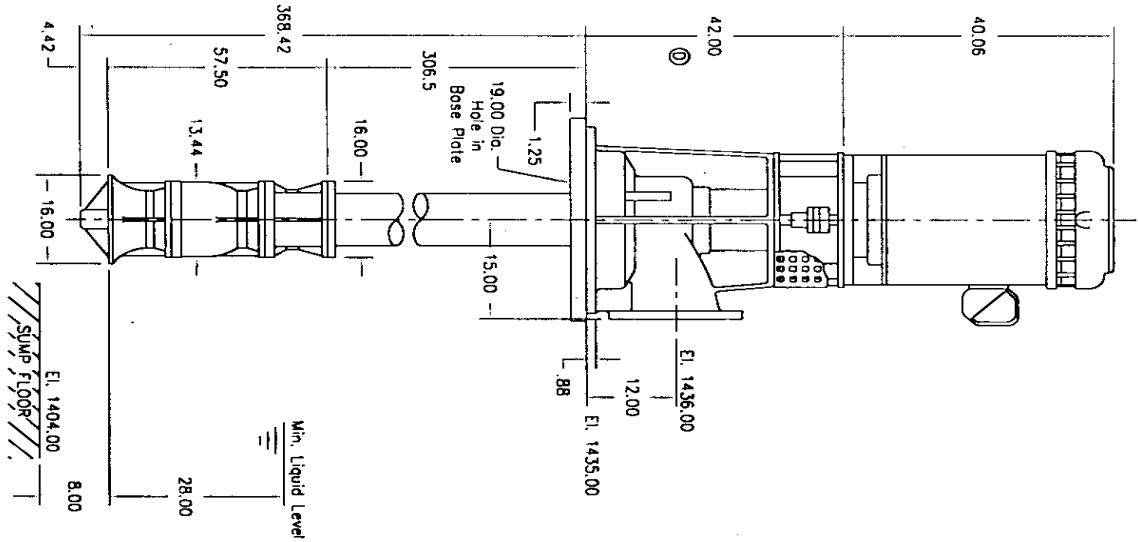
Pump Division
Toneytown Operations

GENERAL ARRANGEMENT DRAWING

Oneida
City of Oneida
Raw Water Pumps
Flowserve Order: 047-78339

DWG. NO. GS001792	SCALE NONE	REV. E
DRAWN T. Heltrick		DATE June 26, 2001

DATE	SYM	REVISION
9/5/01	9000	Per Customer's Comments
09-20-01	9000	Add dimension of baseplate hole
12/17/01	9000	Updated Col/head sizes
2/04/02	9000	Column and Elevations



NON-COLLUSIVE BIDDING CERTIFICATION

BY SUBMISSION OF THIS BID OR PROPOSAL, THE BIDDER CERTIFIES THAT:

- [1] This bid or proposal has been independently arrived at without collusion with any other bidder or with any competitor or potential competitor.
- [2] This bid or proposal has not been knowingly disclosed and will not be knowingly disclosed, prior to the opening of bids or proposals for this project, to any other bidder, competitor or potential competitor.
- [3] No attempt has been or will be made to include any other person, partnership or corporation to submit or not to submit a bid or proposal.
- [4] The person signing this bid or proposal certifies that he fully informed himself regarding the accuracy of the statements contained in this certification, and under the penalties of perjury, affirms the truth thereof, such penalties being applicable to the bidder as well as to the person signing in its behalf,

BIDDER

BY: _____

DATED: _____

QUOTATION SUBMITTAL

Company Contact: _____

Company Name: _____

Company Address: _____

Company Phone/Fax: _____

Company E-mail: _____

Flowsolve 14ENL-3 pump servicing quote: \$ _____
(NOT-TO-EXCEED QUOTE)

Signed By: _____

Print Name: _____

Date: _____

DEADLINE: July 20th, 2015

Please Return Quotation and Non-Collusion Statement to:

City of Olean Water Filtration Plant

1332 River Street

Olean, NY 14760

RE: Pump Servicing Quote

OR

Send Digital Format (PDF) to: dwalker@cityofolean.org with "Pump Servicing Quote" in title line.

Contact: Rich Graves or Dale Walker at 716-376-5699 for more information.